



# ETB10 SERIES

WAE133988(R) LR100420

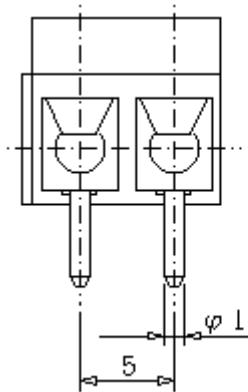
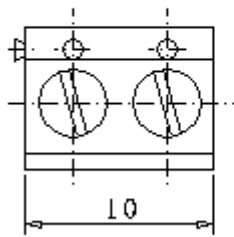


## SPECIFICATIONS

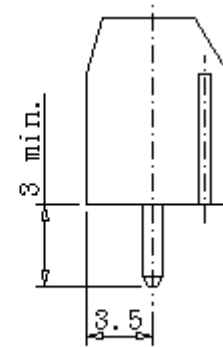
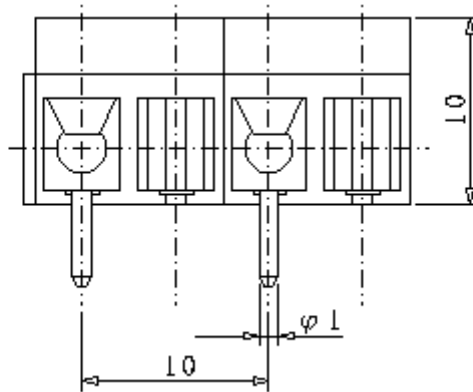
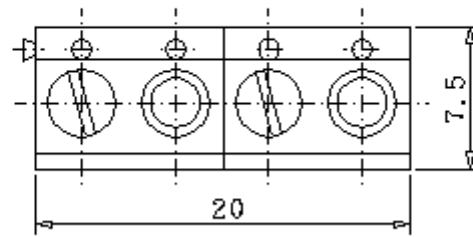
- Pitch 5.0 mm, 10.0 mm
- Wire range 14 AWG to 24 AWG
- NO. of pole per Block 2 or 3
- Rated 16 Amp, 300 VAC
- Housing Polyamide 66, Blue
- Terminals Tin plated over Zinc Alloy
- Screws M2.6 x 0.45P, Yellow Chromated
- Wire protector Stainless Steel

ETB10 \*\* ETB10 \*\* 1  
 Pitch=5.0mm Pitch=10.0mm

ETB10\*\*  
Pitch=5.0mm



ETB10\*\*1  
Pitch=10.0mm



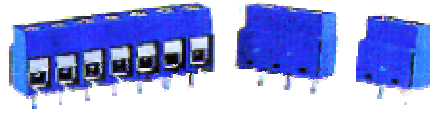
mm to inch

\*\*NUMBER OF POLE 02~30

mm	0.6	1	1.1	3	3.5	3.6	5	7.5	8	10	11	20			
inch	0.024	0.039	0.043	0.118	0.138	0.142	0.197	0.295	0.315	0.394	0.433	0.787			

# ETB11 SERIES

WLE133988(R) LR100420



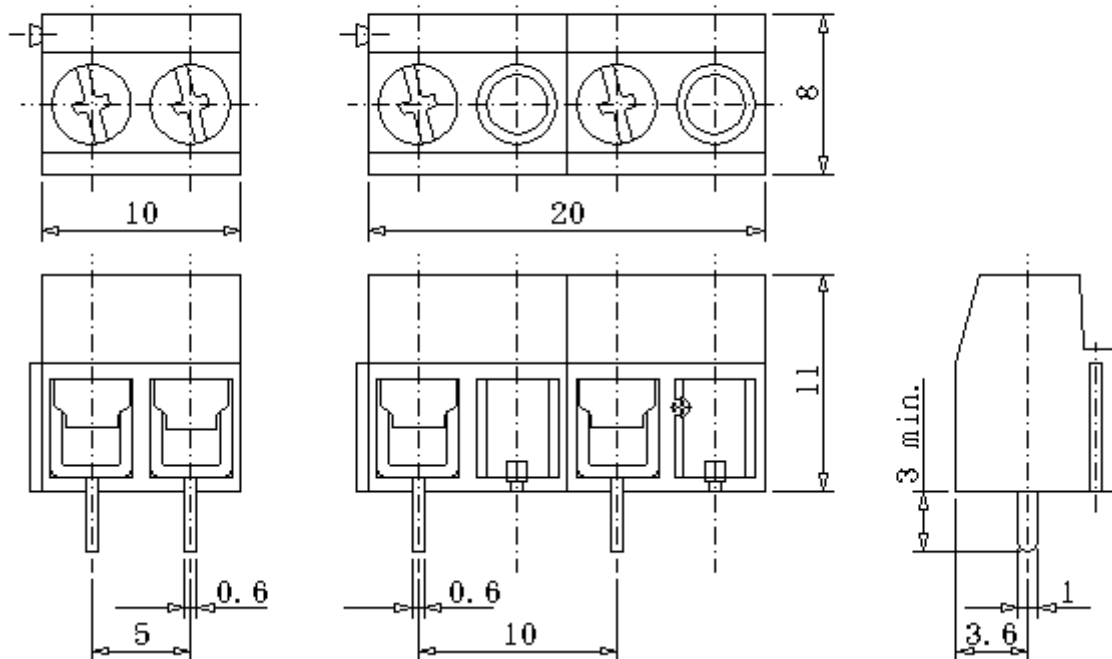
## SPECIFICATIONS

- Pitch 5.0 mm, 10.0 mm
- Wire range 14 AWG to 22 AWG
- No. of pole per Block 2 or 3
- Rated 8 Amp, 300 VAC
- Housing Polyamide 66, Blue
- Terminals Tin plated over Brass
- Screws M2.6 x 0.45P, Yellow Chromated
- Wire protector Zinc plated over Steel
- Wire protector Stainless Steel

ETB11 \*\* ETB11 \*\* 1  
 Pitch=5.0mm Pitch=10.0mm

ETB11\*\*  
 Pitch=5.0mm

ETB11\*\*1  
 Pitch=10.0mm



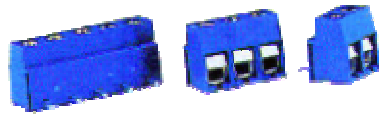
mm to inch

\*\*NUMBER OF POLE 02~30

mm	0.6	1	1.1	3	3.5	3.6	5	7.5	8	10	11	20			
inch	0.024	0.039	0.043	0.118	0.138	0.142	0.197	0.295	0.315	0.394	0.433	0.787			

# ETB12 SERIES

WLE133988(R) LR100420



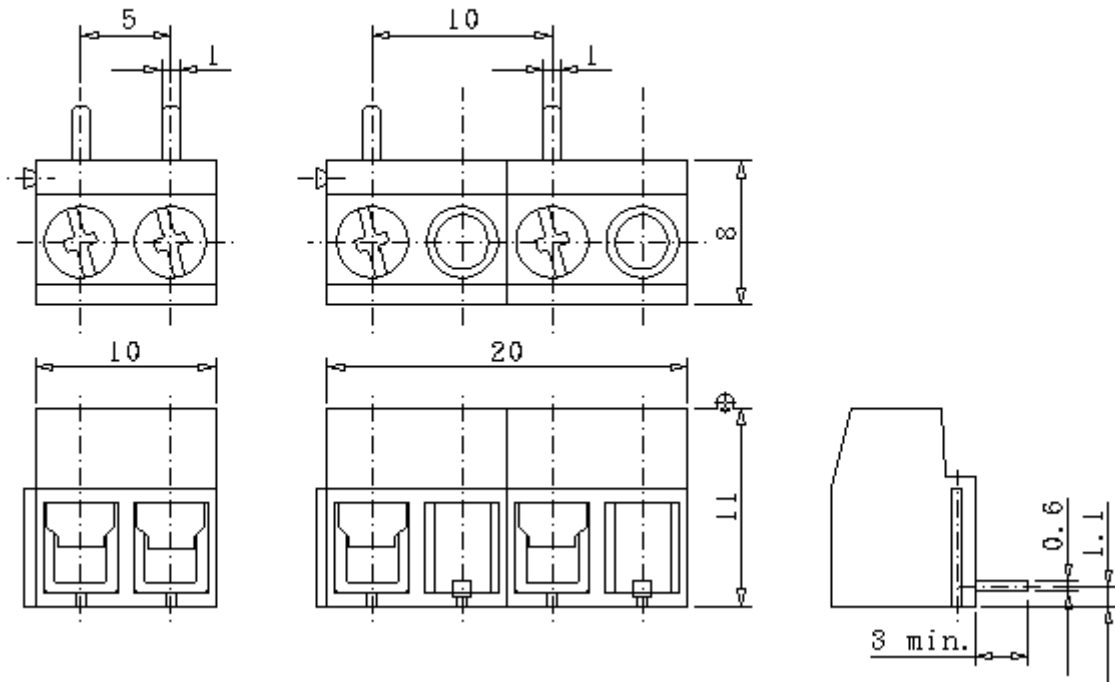
## SPECIFICATIONS

- Pitch 5.0 mm, 10.0 mm
- Wire range 14 AWG to 22 AWG
- No. of pole per Block 2 or 3
- Rated 8 Amp, 300 VAC
- Housing Polyamide 66, Blue
- Terminals Tin plated over Brass
- Screws M2.6 x 0.45P, Yellow Chromated  
Zinc plated over Steel
- Wire protector Stainless Steel

ETB12 \*\* ETB12 \*\* 1  
Pitch=5.0mm Pitch=10.0mm

ETB12\*\*  
Pitch=5.0mm

ETB12\*\*1  
Pitch=10.0mm



mm to inch

\*\*NUMBER OF POLE 02~30

mm	0.6	1	1.1	3	3.5	3.6	5	7.5	8	10	11	20			
inch	0.024	0.039	0.043	0.118	0.138	0.142	0.197	0.295	0.315	0.394	0.433	0.787			